

The Solairis™

Patent Pending

The Solairis™ is a Patent Pending, single incline design that is economical and elegant.

The inclination of each structure is customized to meet site-specific requirements and provide optimal energy output.

The US Military chose The Solairis™ for its visual appeal and cost effectiveness at Marine Corps Base Camp Lejeune in NC.

Solaire Generation's mission is to make a significant and enduring contribution to the development of solar energy. We specialize in transforming parking lots into beautiful solar power plants.

COMPETITIVE ADVANTAGES

High Energy Yields

Generates high-energy output for each geographic location and specific site orientation.

Branding / Advertising

Creates additional revenue opportunities.

Charging Station

Integrates with commercial OEM electric vehicle charging systems.

Safety Clearances

Concrete piers protect structural steel from vehicle damage.

Best in class roadway clearances minimize possible collision with commercial vehicles and maintenance equipment.

Lighting

Customization available to satisfy client preferences and IES light level requirements.

Universal PV Components

Supports all commercially available solar panels, inverters and exterior rated combiner boxes.

Electric Protection

Power column piers encase and protect AC & DC conduit.

PV strings are protected with custom wire guides.

Durability

All exposed structural steel, bolts and welds are a minimum of 2' above asphalt which minimizes corrosive effects from water and salt.

Security

Easily incorporates security cameras and systems.

Water Collection

The Premium™ offers optional rain water harvest for gray water use.



The Solairis™



US Military Camp Lejeune, NC



Branding / Advertisement



Column Detail

SOLAIRE™
GENERATION
DESIGN FABRICATE INSTALL

150 West 28th Street, Suite 1801
New York, NY 10001 USA

Office : +1 212 219 0920
info@solairegeneration.com
www.solairegeneration.com

Copyright Solaire Generation Inc., 2011

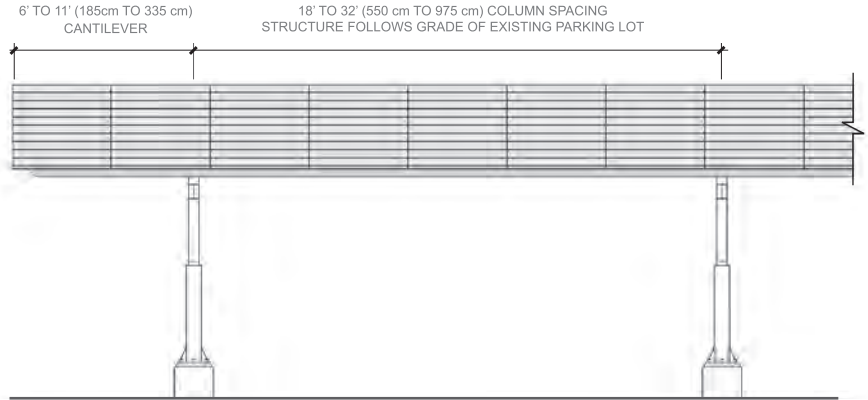
YOUR PARTNER FOR COMPLETE SOLAR SOLUTIONS

Solaire Generation is recognized by Fortune 100 companies as the leading innovator in the market for solar parking structures & systems. We partner with solar integrators, developers and property owners in order to provide our clients with the best in canopy design, fabrication and installation. We are proud to offer our clients the market's premier solar structures.

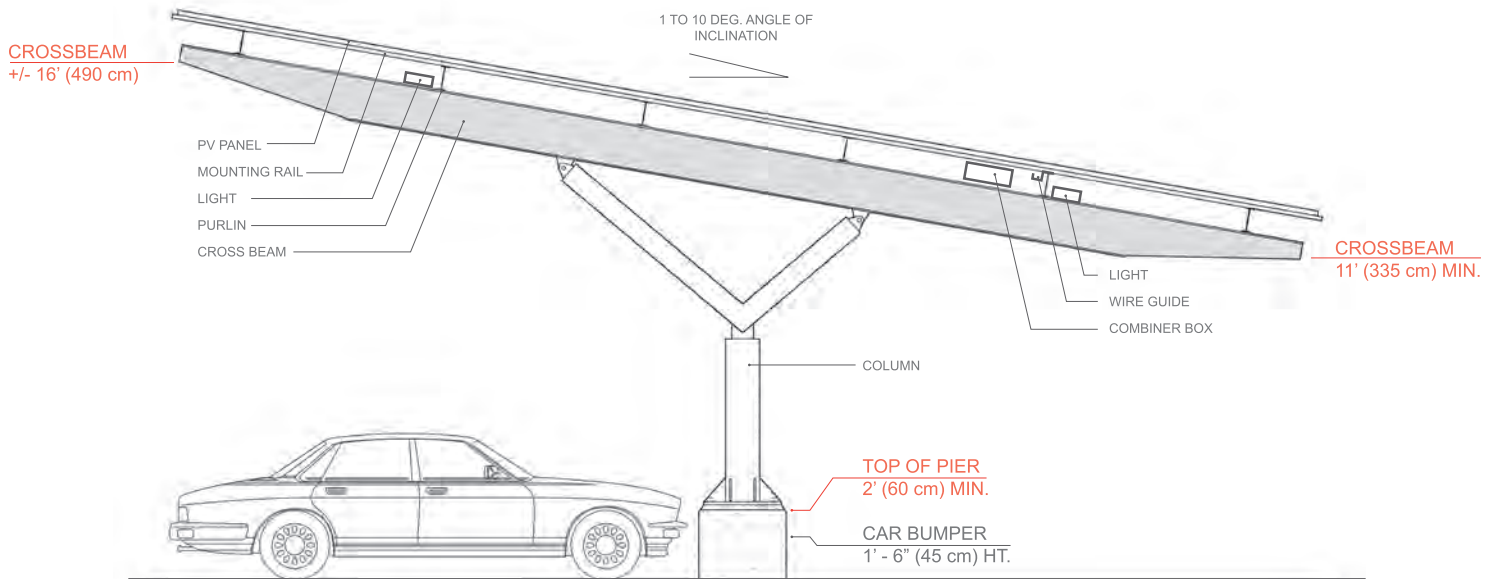
The Solairis™

061411

Patent Pending



TYP. SIDE ELEVATION



TYP. END ELEVATION

Product Summary

Dimensions

- Vertical Clearances 11' (490 cm) min.
- Concrete Pier 2' (60 cm) min. above asphalt
- Width 34' to 41' (1040 cm to 1250 cm)
- Angles of Inclination 1 to 15 degree inclination available
- Column-to-Column Spacing 18' to 32' (550 cm to 975 cm)

Foundations

Reinforced concrete

Structural Steel

Shop fabricated in strict accordance with AISC Steel Building Structures and AWS welding requirements and codes.

PV Components

- Mounting Rail Unistrut or equivalent provided standard. Standard finish is hot-dipped galvanized. Other mounting rails are available.
- PV Panel Compatibility Solaire structures are compatible with all commercially available PV panels.
- Combiner Box Compatibility Solaire structures are compatible with all exterior rated combiner boxes.

Finishes

- Structural Steel Shop blasted and primed with a corrosion resistant primer. Solaire offers several finish options for structural steel including shop painting, powder coating, and galvanizing.
- Colors A wide range of colors is available.

Lighting

Solaire structures are compatible with a range of attractive fixture types suitable for a wide variety of site and lighting conditions. Available fixture types include metal halide, high pressure sodium, LED, induction, and others.

SOLAIRE™
GENERATION
DESIGN FABRICATE INSTALL

Headquarters New York City
Manufacturing CA, PA, NJ, MI

150 West 28th Street, Suite 1801
New York, NY 10001

Office : +1 212 219 0920
info@solairegeneration.com
www.solairegeneration.com

Copyright Solaire Generation Inc., 2011